

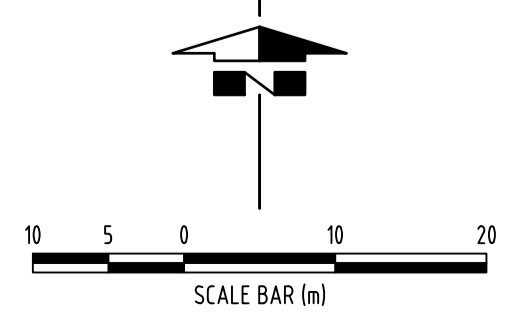
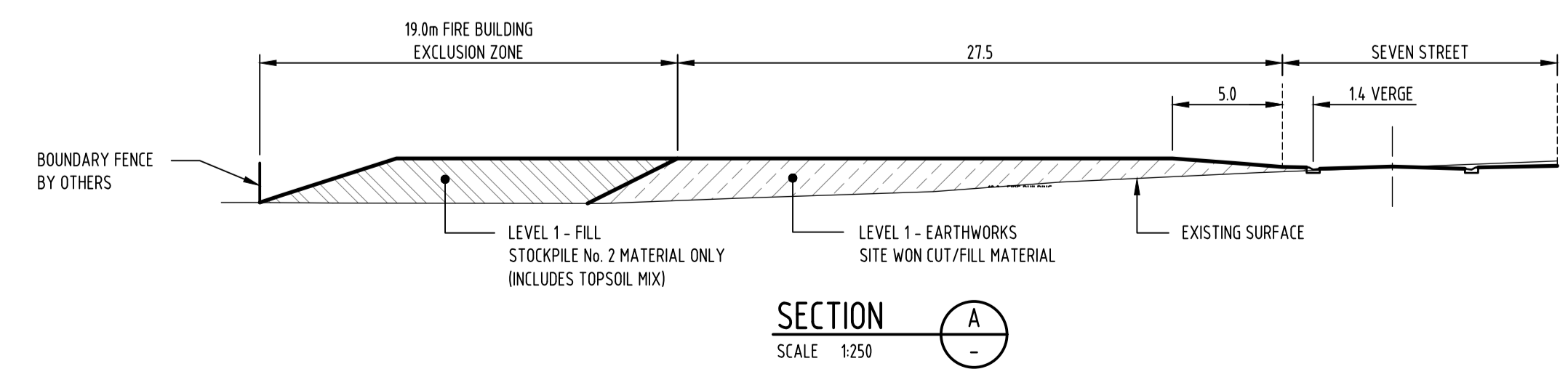
- LEGEND:**
- EXISTING CONTOURS
 - DESIGN CONTOURS (250mm INTERVALS)
 - CUT-/FILL DEPTH (H)
 - DESIGN SURFACE LEVEL (DS)
 - NATURAL SURFACE LEVEL (NS)
 - DESIGN LEVELS
 - G - GATE INLET
 - I - INVERT
 - LOT BENCH LEVEL
 - DESIGN SURFACE LEVEL
 - STORMWATER PIPE - RCP PIPE
 - STORMWATER PIPE - UPVC PIPE
 - FUTURE STORMWATER PIPE
 - STORMWATER DRAINAGE PIT NUMBER
 - CONCRETE FOOTPATH WITH KERB RAMP
 - SIDE ENTRY PIT (SEP)
 - JUNCTION BOX (JB)
 - GRADED INLET PIT (GIP)
 - ALLOTMENT STORMWATER CONNECTION
 - FIELD GULLY (FG)
 - FRONT ALLOTMENT STORMWATER CONNECTION
 - DRAINAGE OUTLET KERB INSERT
 - SLEEPER RETAINING WALL
 - SLEEPER RETAINING WALL - WITH FENCE
 - SLEEPER RETAINING WALL - BY OTHERS
 - SLEEPER RETAINING WALL - EXISTING
 - SLEEPER RETAINING WALL - FUTURE
 - FENCE WITH 400mm HIGH FENCE PLINTH
 - TREE TO BE REMOVED
 - TREE WITH TREE PROTECTION ZONE
 - TRANSFORMER/SWITCHING CUBICLE EASEMENT
 - LEVEL 1 - EARTHWORKS (SITE WON CUT/FILL MATERIAL)
 - LEVEL 1 - FILL (STOCKPILE No. 2 MATERIAL ONLY)



ROCK PITCHED SURROUND TO FIELD GULLY 200 DEEP, D₅₀ = 200mm

CUT-OFF DRAIN ALIGNMENT TO BE DETERMINED ON SITE WITH SUPERINTENDENT & COUNCIL PRIOR TO CONSTRUCTION. HOLD POINT.

PSM 6627/14691
E 383644, 974
14676, 974 222
(EL. 394,54m)



TENDER ISSUE
NOT FOR CONSTRUCTION

REV.	DATE	DESCRIPTION	DRAFT	ENG.	CHKD
A	25.11.20	ISSUED FOR TENDER	MJ	JB	RB



60 Wyatt Street, Adelaide
South Australia 5000
Telephone 08 8223 7433
Email adelaide@wga.com.au

**CLOVER PARK - STAGE 5
FLAXLEY ROAD, MOUNT BARKER
FOR LANSER COMMUNITIES
ROADS & STORMWATER PLAN**

A1	DRAWING NUMBER	Job Number	Sheet No.	Rev.
Design MWRJ	Drawn MWRJ	ADL161322	503	A

I:\2016\161322-Flaxley Residential Development\Stages\Stage 5\ADL161322-503.dwg, A, 26/11/2020 3:11 PM, mjrls